

QUALITY BESPOKE

SLIDING WARDROBES



YOUR DOOR, YOUR STYLE, YOUR WAY





QUALITY
MEANS DOING
IT RIGHT
WHEN NO ONE
IS LOOKING



CONTENTS

03	Why we are the perfect fit
04	Classic Frame Doors
05	Classic Profile Options
06 - 19	Classic Frame Doors Inspiration
20	Shaker Frame Doors
21	Shaker Profile Options
22 - 35	Shaker Frame Doors Inspiration
36 - 37	5 Step Guide
39	Measuring Guide
40 - 41	End Panels, Shelving & Polished Mirror

Our bespoke service gives the customer full control throughout the entire design and manufacturer process. We stock a comprehensive range of colours and frames with endless configurations.

We work with you to bring your vision to life.

Our sliding doors are multi-purpose, and can fit any space up to 2.48m height & 5m wide. You can adapt your storage space with our range of end panels giving you the freedom to choose your opening sizes. Additionally, you can personalise your internal storage with our wide range of shelving (2070x400), kept in stock in a range of colours giving your wardrobe a sleek look.



ELEGANCE
THAT TOUCHES
EVERY ASPECT
OF YOUR
HOME

WHY WE ARE THE PERFECT FIT FOR YOU . . .

COMMITMENT TO QUALITY

Adamson Sliding Doors have built and maintained an enviable reputation for quality and outstanding service for a wide range of clients and projects throughout the country. Our manufacturing process is hand-made and thorough, ensuring precision for the perfect fit.

We work from our own factory which is staffed by a highly skilled team of experts who are committed towards our goal- to guarantee all work is completed to the highest standard.

From start to finish, your experience will be first class, our high quality products are equally matched by our in-house staff who will support you throughout your journey.

MADE TO MEASURE DOORS

With an extensive range of mirrors, coloured glass and wooden panel finishes you're sure to create a door combination that fits your style and measurement requirements.

Our made to measure sliding doors include; classic frames and shaker frames. By providing a choice of materials we can ensure that our customers have the best possible options for their creations.

QUALITY SLIDING SYSTEM

High quality rollers are mounted to the top and bottom of the door. Our doors are bottom weight bearing and roll along the track smoothly which is secured to the floor- unlike many systems which are hung from the ceiling by top rollers. We have a quiet top guide in place to ensure a reliable gliding action.

Compared to traditional hinged doors, sliding doors can save up to 500mm of floor space.





CLASSIC FRAME DOORS



DESIGNING YOUR CLASSIC FRAME DOOR

Our Classic Range offers versatile and quality doors, with a concave rounded shape for comfortable opening and closing.

Choose your frame finish, then either compliment with matching wood effect panels or make a bold statement with contrasting wood colour or glass panels in any combination.

The Classic Range will meet your demands whether it's a traditional or contemporary style you prefer.



CLASSIC PROFILE OPTIONS

MIRROR

Silver Mirror	Bronze Mirror	Smoked Mirror	Antique Mirror

COLOURED GLASS

Anthracite Grey	Blue Metal	Black	Cappuccino	Pure White	Metal Grey	Soft White	Safari Green	Cashmere

FRAME

Graphite Grey	Stone Grey	Black	Silver	Walnut Effect	Oak Effect	White	Cashmere

WOOD EFFECT

Graphite Grey	White Grain	Smooth White	Walnut	Oak	Stone Grey	Avola Grain	Cashmere

(more colours are available upon request)



Frame: Classic Stone Grey
Layout: Even Oriental
Colour Glass: Cappuchino
Mirror: Silver

CAREFULLY
 CRAFTED
 DESIGN FOR A
 DISTINGUISHED
 LIVING
 EXPERIENCE



Frame: Classic White
Layout: Full Panel
Mirror: Silver



Frame: Classic Silver
Layout: Mid Rail
Colour Glass: Black Glass
Mirror: Silver



Frame: Classic Black
Layout: Full Panel
Colour Glass: Soft White





Frame: Classic Silver
Layout: Even Oriental X4
Colour Glass: Aubergine
Mirror: Silver



Frame: Classic Walnut
Layout: Full Panel
Mirror: Silver



Frame: Classic Black
Layout: Even Oriental
Colour Glass: Soft White



Frame: Classic Oak
Layout: Wide Oriental
Panels: Oak
Mirror: Silver





Frame: Classic Silver
Layout: Full Panel
Mirror: Smoked Grey



Frame: Classic Black
Layout: Mid Rail
Coloured Glass: Classic Grey





Frame: Classic Silver
Layout: Even Oriental
Mirror: Silver



Frame: Classic Silver
Layout: Full Panel
Mirror: Silver





Frame: Classic Graphite Grey
Layout: Full Panel
Colour Glass: Anthracite Grey
Mirror: Silver



SHAKER FRAME DOORS



CHOOSING A QUALITY SLIDING SHAKER DOOR PRODUCT:

An undoubted modern classic. The Shaker frame is at home in traditional and contemporary surroundings, available in a variety of wood finishes and matt white.

The Shaker frames are perfectly matched to the wood effect panels. Within the Shaker sliding door range you are able to mix glass and wood effect panels together to create your perfect sliding door design.

Let your imagination take over . . .



SHAKER PROFILE OPTIONS

COLOURED GLASS

Anthracite Grey	Blue Metal	Black	Cappuccino	Pure White	Metal Grey	Soft White	Safari Green	Cashmere

MIRROR

Silver Mirror	Bronze Mirror	Smoked Mirror	Antique Mirror

FRAME

Graphite Grey	Stone Grey	Black	Walnut Effect	Oak Effect	White	Cashmere

WOOD EFFECT

Graphite Grey	White Grain	Smooth White	Walnut	Oak	Stone Grey	Avola Grain	Cashmere

(more colours are available upon request)



Passionately
I know what
is. We're
did.

Frame: Shaker Stone Grey
Layout: Mid Rail
Mirror: Silver

SIMPLICITY IS
THE ULTIMATE
SOPHISTICATION





Frame: Classic Silver
Layout: Narrow Oriental
Colour Glass: Cashmere, Storm Blue



Frame: Shaker Stone Grey
Layout: Even Oriental
Mirror: Bronze





Frame: Shaker Stone Grey
Layout: Full Panel
Mirror: Silver



Frame: Shaker Graphite Grey
Layout: Full Panel
Mirror: Smoked Grey



Frame: Shaker Stone Grey
Layout: Even Oriental
Colour Glass: Cappuchino
Mirror: Silver



Frame: Shaker White
Layout: Full Panel
Mirror: Silver



Frame: Shaker White
Layout: Even Oriental
Panels: White Smooth



Frame: Shaker White
Layout: Even Oriental
Colour Glass: Cappuchino
Mirror: Silver





Frame: Shaker Graphite Grey
Layout: Even Oriental
Mirror: Silver



Frame: Shaker Cashmere
Layout: Wide Oriental
Panels: Cashmere Smooth
Mirror: Silver



Frame: Shaker Oak
Layout: Narrow Oriental
Colour Glass: Black
Panels: Oak



Frame: Shaker White
Layout: Even Oriental
Panels: White Smooth



STEP 1 - *Pick your profile*

- CLASSIC
- SHAKER

STEP 2 - *Pick your frame colour*

COLOUR

STEP 3 - *Pick your configuration*

- FULL PANEL
- MID RAIL
- NARROW ORIENTAL
- EVEN ORIENTAL X 3
- EVEN ORIENTAL X4
- WIDE ORIENTAL
- MIXED ORIENTAL

STEP 4 - *Pick your own glass colour or wooden panel*

COLOUR

STEP 5 - *Your dimensions*

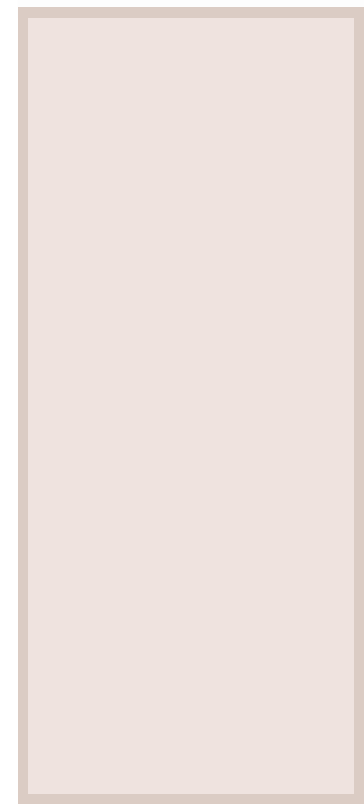
WIDTH HEIGHT NO OF DOORS

THE CHOICE IS YOURS

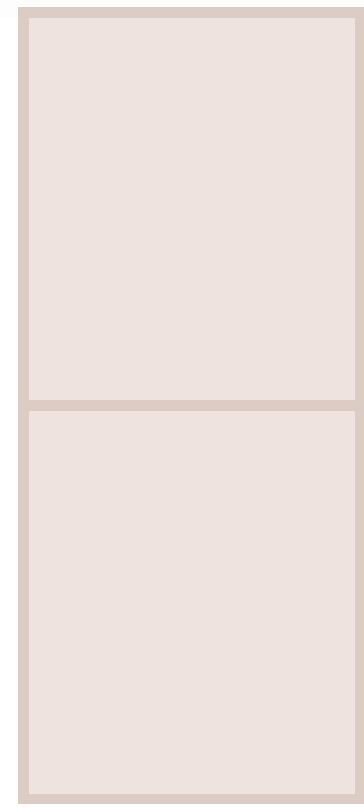
Other options available on request



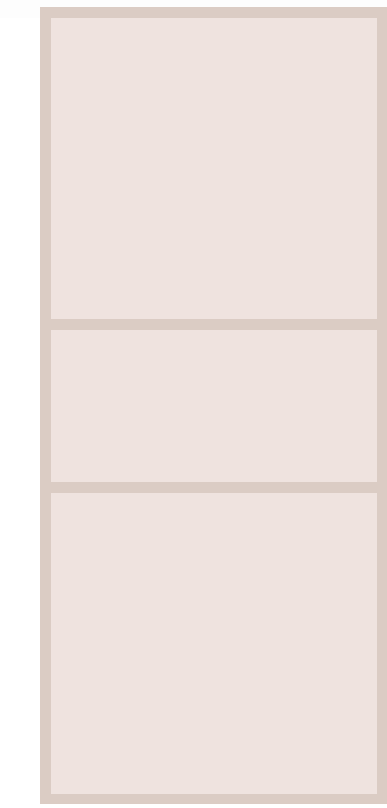
FULL PANEL



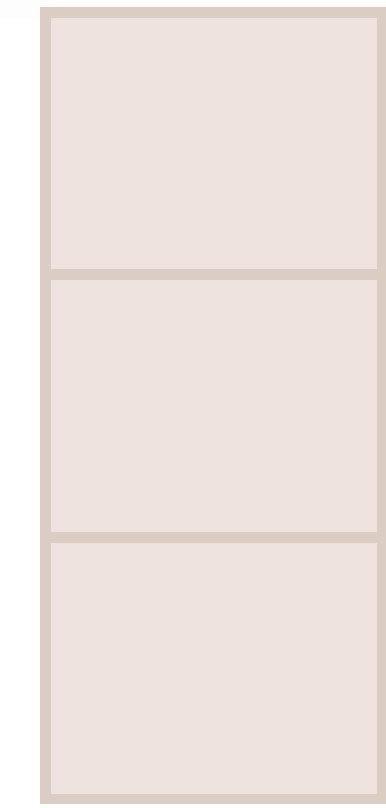
MID RAIL



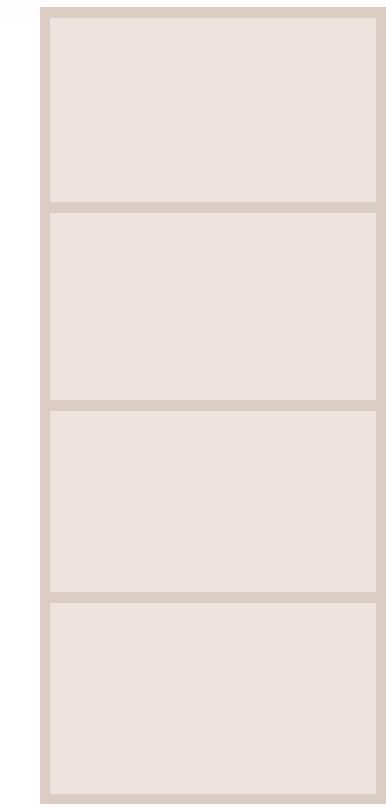
NARROW ORIENTAL



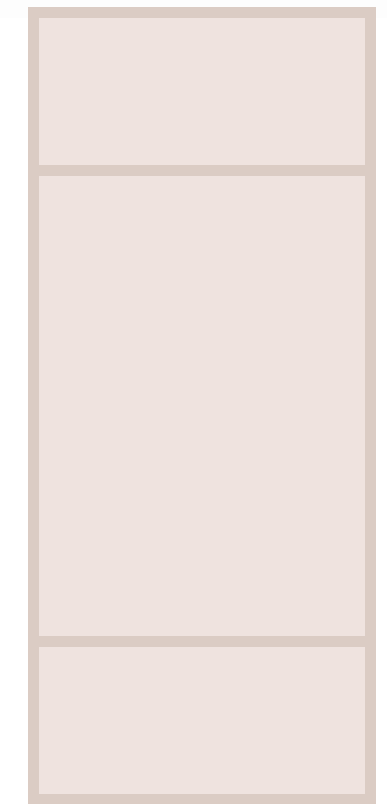
EVEN ORIENTAL X 3



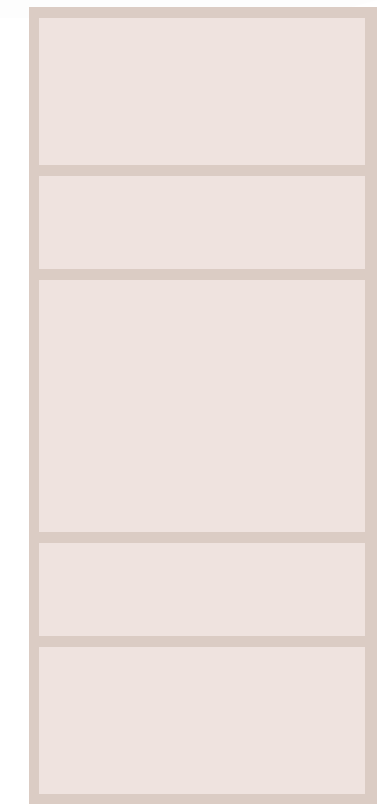
EVEN ORIENTAL X 4



WIDE ORIENTAL



MIXED ORIENTAL





Frame: Classic Silver
Layout: Full Panel
Coloured Glass: Pure White

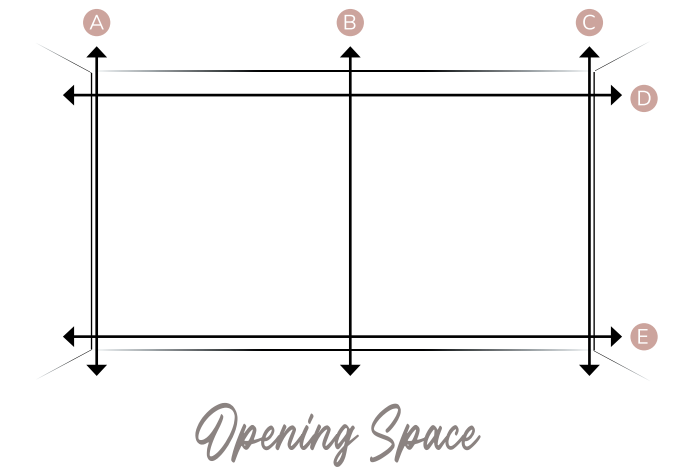
WARDROBE MEASURING DETAILS

It's surprisingly easy to install our bespoke sliding doors. Simply measure the space you're going to use for your wardrobe, give us your measurements and we'll make your fitted doors. Once manufactured, fit your bottom and top tracks, slide and lock your doors into place. That's it! A beautiful and stunning wardrobe in a few simple steps.

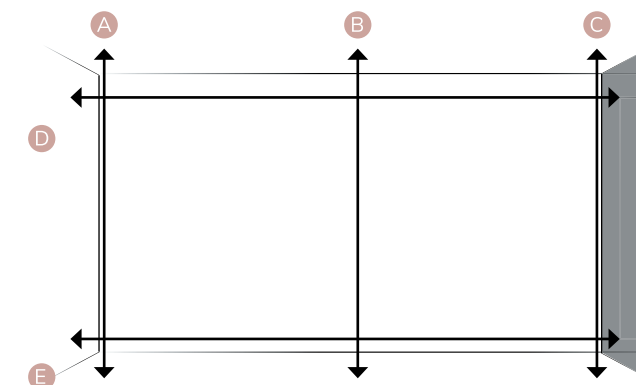
Fitting to ceiling and wall to wall. Measure your opening height and width at the five points indicated on the diagram. (Please note: Take into account any obstructions such as coving, skirting, radiators etc. either remove them or build an unobstructed opening around them).

HEIGHT: If there is any difference between the measurements of A, B or C, this means that your ceiling and floor are not parallel. Your track sets will allow for a difference of +/- 12mm. Doors will be made to fit the smaller of the 3 height dimensions.

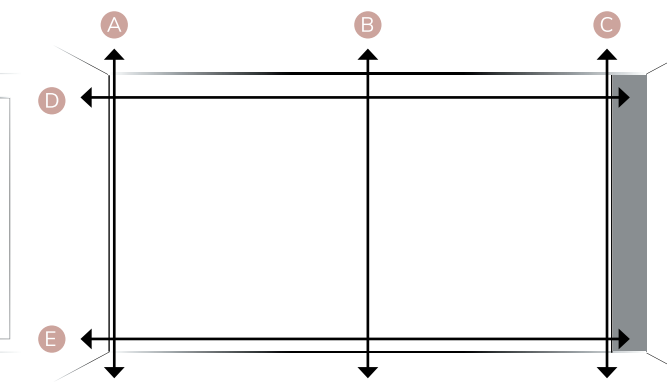
WIDTH: Walls should be as vertical, and parallel as possible when adjustment in the door is needed. Doors will be made to fit the larger of the two width dimensions.



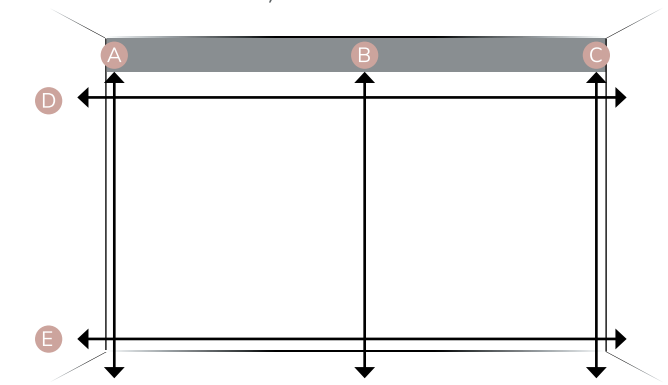
Fitting to a doorway or window opening



Fitting with a side panel



Reducing your ceiling height (if room is higher than 2480mm)

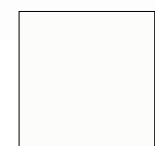


END PANELS



IN STOCK NOW

All end panels are 2500mm/600mm/18mm



White



Cashmere Smooth



Light Grey



Dark Oak



Oak



Cashmere Woodgrain

In addition to wall to wall installations, our sliding wardrobes can also be installed using our matching end panels, these are large sections of timber used to create an artificial wall for the doors. Available in the above colours.

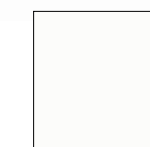
Create your ideal space with end panels

SHELVING



IN STOCK NOW

All shelving boards are 2070mm/400mm/18mm, available in the following colours



White



Cashmere Smooth



Light Grey



Dark Oak



Oak



Cashmere Woodgrain

POLISHED MIRROR

Looking for a mirror for your bathroom or wall? We have you covered. At Adamson sliding doors we can offer polished edged mirror cut to your required size. Ask a member of staff for more info.

Hanging poles & fixings available on request





Showroom

Unit 2,
 Lomond Business Park
 Baltimore Road
 Glenrothes
 Fife
 KY6 2PJ
 T: 01592 631575
 E: asd@adamson-doors.co.uk
www.adamsonslidingdoors.co.uk

